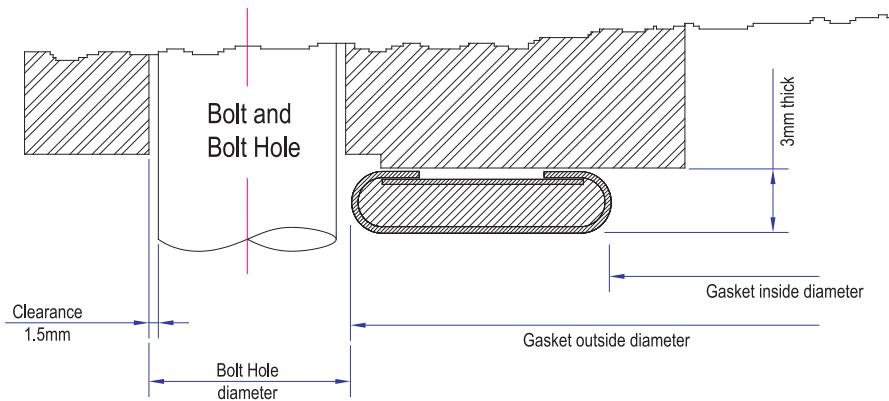




# Heat Exchanger Gaskets



## DOUBLE JACKETED DIMENSIONS TO ASME B16.20 USED WITH ASME/ANSI B16.5 FLANGES

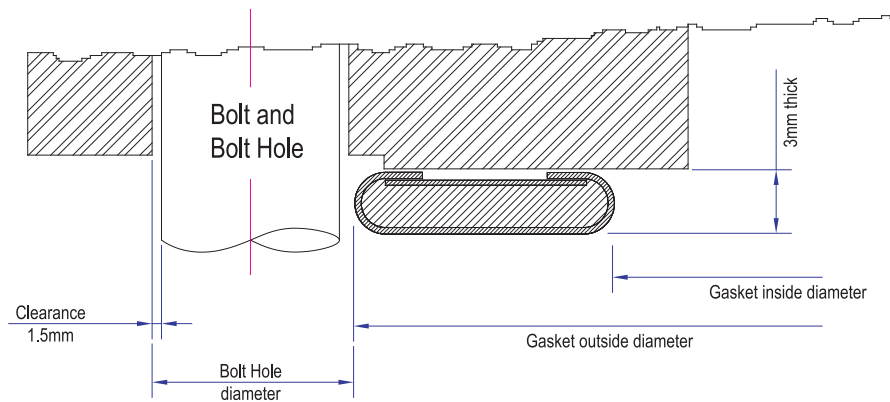
Flange Size (NPS)		Gasket Inside Diameter	GASKET OUTSIDE DIAMETER BY CLASS						
INCH	MM		150	300	400	600	900	1500	2500
1/2	15	22.4	44.5	50.8	50.8	50.8	60.5	60.5	66.8
3/4	20	28.7	54.1	63.5	63.5	63.5	66.8	66.8	73.2
1	25	38.1	63.5	69.9	69.9	69.9	76.2	76.2	82.6
1¼	32	47.8	73.2	79.5	79.5	79.5	85.9	85.9	101.6
1½	40	54.1	82.6	92.2	92.2	92.2	95.3	95.3	114.3
2	50	73.2	101.6	108.0	108.0	108.0	139.7	139.7	143.0
2½	65	85.9	120.7	127.0	127.0	127.0	162.0	162.0	165.1
3	80	108.0	133.4	146.1	146.1	146.1	165.1	171.5	193.8
4	100	131.8	171.5	177.8	174.8	190.5	203.2	206.5	231.9
5	125	152.4	193.8	212.9	209.6	238.3	244.6	251.0	276.4
6	150	190.5	219.2	247.7	244.6	263.7	285.8	279.4	314.5
8	200	238.2	276.4	304.8	301.8	317.5	355.6	349.3	384.3
10	250	285.8	336.6	358.9	355.6	397.0	431.8	431.8	473.2
12	300	342.9	406.4	419.1	416.0	454.2	495.3	517.7	546.1
14	350	374.7	447.8	482.6	479.6	489.0	517.7	574.8	—
16	400	425.5	511.3	536.7	533.4	562.1	571.5	638.3	—
18	450	489.0	546.1	593.9	590.6	609.6	635.0	701.8	—
20	500	533.4	603.3	651.0	644.7	679.5	695.5	752.6	—
24	600	641.4	714.5	771.7	765.3	787.4	835.2	898.7	—

## DIMENSIONS FOR JACKETED GASKETS USED WITH ASME/ANSI B16.47 SERIES A FLANGES

Flange Size (NPS)		Gasket Inside Diameter	GASKET OUTSIDE DIAMETER BY CLASS				
INCH	MM		150	300	400	600	900
26	650	673.1	771.7	831.9	828.8	863.6	879.6
28	700	723.9	828.8	895.4	889.0	911.4	943.1
30	750	774.7	879.6	949.5	943.1	968.5	1006.6
32	800	825.5	936.8	1003.3	1000.3	1019.3	1070.1
34	850	876.3	987.6	1054.1	1051.1	1070.1	1133.6
36	900	927.1	1044.7	1114.6	1114.6	1127.3	1197.1
38	950	977.9	1108.2	1051.1	1070.1	1101.9	1197.1
40	1000	1028.7	1159.0	1111.3	1124.0	1152.7	1247.9
42	1050	1079.5	1216.2	1162.1	1174.8	1216.2	1298.7
44	1100	1130.3	1273.3	1216.2	1228.9	1267.0	1365.3
46	1150	1181.1	1324.1	1270.0	1286.0	1324.1	1432.1
48	1200	1231.9	1381.3	1320.8	1343.2	1387.6	1482.9
50	1250	1282.7	1432.1	1374.9	1400.3	1444.8	—
52	1300	1333.5	1489.2	1425.7	1451.1	1495.6	—
54	1350	1384.3	1546.4	1489.2	1514.6	1552.7	—
56	1400	1435.1	1603.5	1540.0	1565.4	1603.5	—
58	1450	1485.9	1660.7	1590.8	1616.2	1660.7	—
60	1500	1536.7	1711.5	1641.6	1679.7	1730.5	—



# Heat Exchanger Gaskets



DIMENSIONS FOR JACKETED GASKETS USED WITH ASME/ANSI B16.47 SERIES B FLANGES							
Flange Size (NPS)		Gasket Inside Diameter	GASKET OUTSIDE DIAMETER BY CLASS				
INCH	MM		150	300	400	600	900
26	650	673.1	722.4	768.4	743.0	762.0	835.2
28	700	723.9	773.2	822.5	797.1	816.1	898.7
30	750	774.7	824.0	882.7	854.2	876.3	955.8
32	800	825.5	877.8	936.8	908.1	930.4	1013.0
34	850	876.3	931.9	990.6	958.9	993.9	1070.1
36	900	927.1	984.3	1044.7	1019.3	1044.7	1120.9
38	950	977.9	1041.4	1095.5	1070.1	1101.9	1197.1
40	1000	1028.7	1092.2	1146.3	1124.0	1152.7	1247.9
42	1050	1079.5	1143.0	1197.1	1174.8	1216.2	1298.7
44	1100	1130.3	1193.8	1247.9	1228.9	1267.0	1365.3
46	1150	1181.1	1252.4	1314.5	1286.0	1324.1	1432.1
48	1200	1231.9	1303.3	1365.3	1343.2	1387.6	1482.9
50	1250	1282.7	1354.1	1416.1	1400.3	1444.8	—
52	1300	1333.5	1404.9	1466.9	1451.1	1495.6	—
54	1350	1384.3	1460.5	1527.3	1514.6	1552.7	—
56	1400	1435.1	1511.3	1590.8	1565.4	1603.5	—
58	1450	1485.9	1576.3	1652.5	1616.2	1660.7	—
60	1500	1536.7	1627.1	1703.3	1679.7	1730.5	—

MANUFACTURING TOLERANCES FOR ASME B16.20 - JACKETED GASKETS		
CHARACTERISTICS	TOLERANCES	
	≤ 24"	≥ 26"
OUTSIDE DIAMETER	+1.5 MM, -0	+3.3 MM, -0
INSIDE DIAMETER	+1.5 MM, -0	+3.3 MM, -0
THICKNESS	+0.8 MM, -0	+0.8 MM, -0